

CoolTouch™ Wall Pocket Installation Instructions

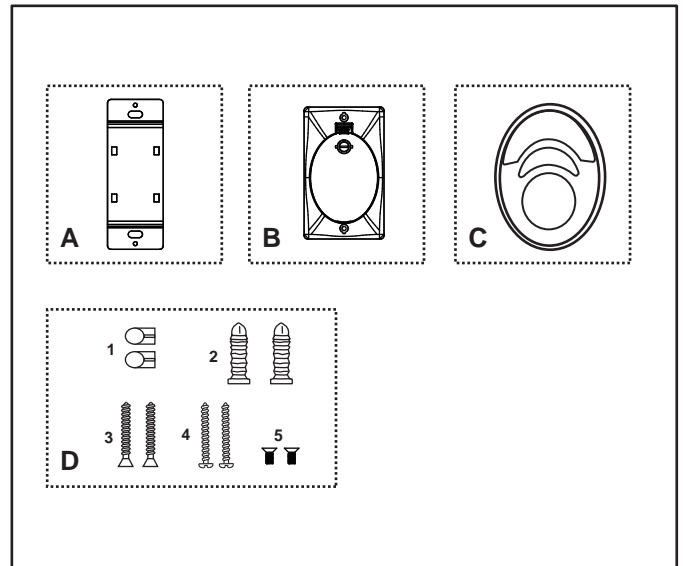
370010

NOTE:

These instructions are intended for the Accessory Wall Pocket of the CoolTouch™ Remote Control Transmitter ONLY. Please refer to the instructions that came with your CoolTouch™ Control System for operational information.

This carton contains the following parts. Please make sure you have everything.

- A. Metal plate..... (1 PCs.)
- B. CoolTouch™ wall plate..... (1 PCs.)
- C. CoolTouch™ Transmitter plastic cover..... (1 PCs.)
- D. Loose parts bag containing:
 - 1. Plastic plugs..... (2 PCs.)
 - 2. Plastic Anchor..... (2 PCs.)
 - 3. #6-32 teeth x3/4" screws..... (2 PCs.)
 - 4. 3/4" Wood Screws..... (2 PCs.)
 - 5. #6-32 teeth Flat Screw..... (2 PCs.)



1. REPLACE THE PLASTIC COVER

Remove the Face Plate from your Transmitter by inserting a "Dime" in the groove at the base of the transmitter.

Be careful to remove ONLY the TOP face plate. (Fig. A)

Attach the new face plate by aligning the pins on the face plate with the holes on the transmitter face and pressing together.

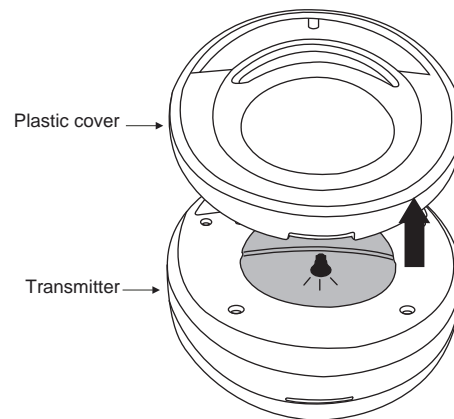


Fig. A

2. INSTALLING THE COOLTOUCH™ CONTROL SYSTEM WALL POCKET

Select a location to install your CoolTouch™ Control System Transmitter and Wall Pocket.

REMEMBER, you can safely use the transmitter outdoors but it should be stored, while not in use, indoors away from excess heat or humidity.

You can replace an existing wall switch or, install the transmitter wall pocket on ANY flat surface.

Option 1: Install the control system using an existing wall switch outlet box. *Make sure the electrical power is TURNED OFF at the main panel before continuing.*

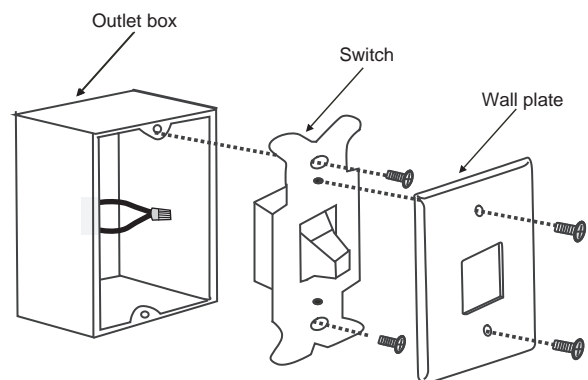


Fig. B

Step 1. Remove the existing wall plate and the old switch from the wall outlet box. Wire nut the BLACK leads (hot) together and push back inside the outlet box. (Fig. B)

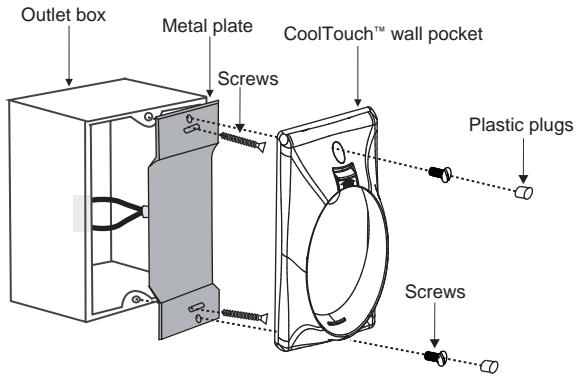


Fig. C

Step 2. Attach the metal plate to the outlet box with the screws provided. Attach the CoolTouch™ wall pocket to the metal plate with the screws provided.

Last, insert the "Plastic Plugs" in the screw holes to finish the installations. These plugs will only insert one way. You must line up the index tabs on the plug with the index slot on the wall pocket. (Fig. C)

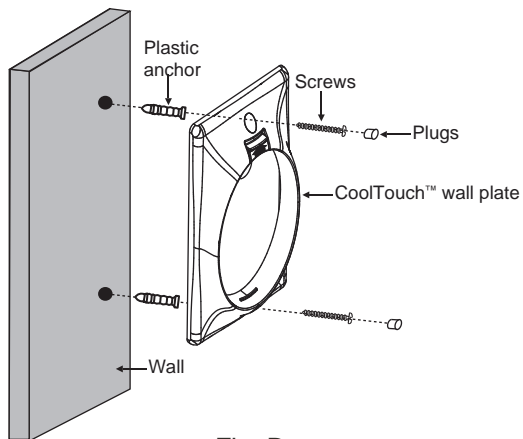


Fig. D

Option 2: Mount the CoolTouch™ Wall Pocket on ANY flat surface. Just select the desired location and use the CoolTouch™ wall pocket to mark the location for the mounting holes. Plastic wall anchors and wood screws are provided for this type of installation. (Fig. D)

After installing the wall anchors, attached the CoolTouch™ wall pocket with the mounting screws and then insert the plastic plugs to finish the installation.

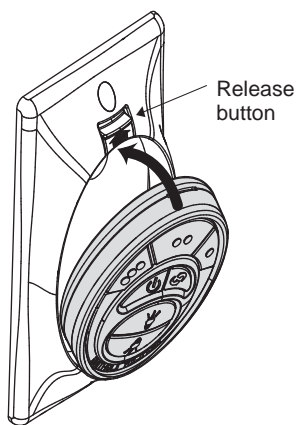


Fig. E

3. STORING THE TRANSMITTER

Place the transmitter in the wall pocket by inserting the bottom of the transmitter first and then press the top of the transmitter into the pocket. The transmitter will fully function from this location or you can remove it to use as a "Hand Held" device.

To remove the transmitter from the wall pocket, push the release button and the transmitter will fall into your hand.